



DESCRIPTION:

- 1-hole Installation.
- Waterfall spout.
- Chrome finish.
- Solid brass construction.
- Ceramic disc cartridge.
- Single hole & single lever.
- Complies with CSA standards.

PRESSURE:

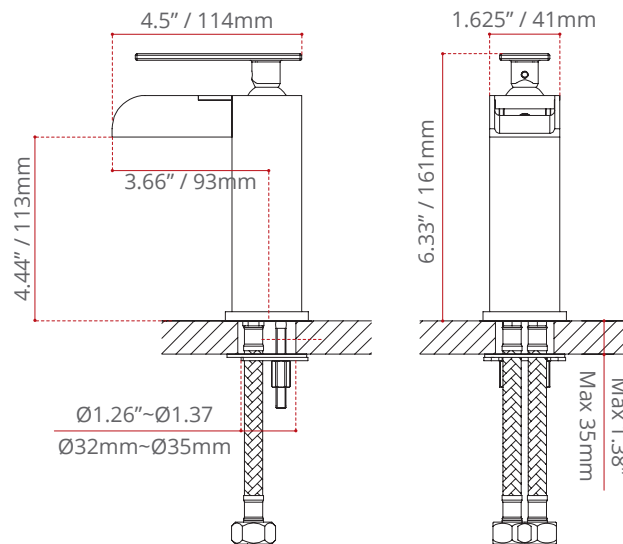
60 PSI

FLOW RATE:

4.3 LPM

SHIPPING INFORMATION:

- **Length:** 14.18 / 360mm
- **Width:** 7.3" / 185mm
- **Height:** 3.15" / 80mm
- **Net Weight:** 1.5 kg / 3.3 lbs.
- **Gross Weight:** 2 kg / 4.4 lbs.



DISCLAIMER:
Measurements may vary $\pm \frac{1}{4}$ "
(Diagram Not to scale)

